

Notice

Thank you for purchasing Blackcam from HiD Solution.
This manual contains instruction and user guide.
Please read this manual carefully beforehand to use the product safely.
This manual provides information for basic usage.
Please visit our website for more information.

Warranty and support

- Please visit our website at <http://www.blackcam.co.kr>
- You can download newest firmware, manuals, PC VIEWER, etc. from our website.
- The warranty does not cover for anything that is not approved by HiD Solution.

Copyright and trademark

- All the contents of this manual are protected by the copyright law.
- HiD Solution has the rights to its programs that are protected by the copyright law.
- This manual is made based on the specifications of current model.
- The information, graphs, or pictures are subject to change without notice for the newer model.

Product guide

- This product is a device that records video while driving.
- Some features may not be available due to the state of the vehicle and driving environment.
- It is not guaranteed to record every accident. Those accidents that are too small for the impact sensor to detect may not be recorded.
- The warranty begins with your purchase and it may not be reissued.

Product warranty

- 1 year for the front and rear cameras / 3 months for memory card, cable, and other accessories.

Certification



Model name : Dash cam(Blackcam CAT5)
Company name : HiD Solution Co., Ltd.
Manufacturer / country : HiD Solution Co., Ltd. / Korea
Customer service : Dealer Authorized by HiD Solution Co., Ltd.

Caution

Please be aware that old memory cards may not work.
Replace the old memory card with a new one if it does not work.
(It is recommended to check your memory card every 3 months)

Please use parts and accessories provided by HiD Solution.
HiD solution is not responsible for any damage caused by using unauthorized parts and accessories.

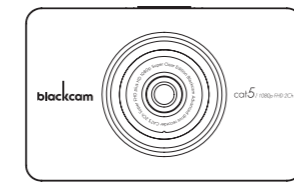
All accidents are NOT guaranteed to be saved as "Event" due to the sensitivity setting of the sensor. Please check other save locations if you cannot find a certain accident in "Event" folder.

Please be aware of the battery drainage if you have hooked up the device to constantly powered outlet on your car. You can prevent the battery drainage by hooking up the device to the outlet that is powered only when your car is running. However, this will make Parking Mode unavailable.

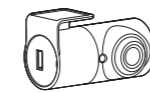
HiD Solution is NOT responsible for the loss of your recording if the accident causes significant damage to the device and the memory card.

The warranty does not cover for damage caused by exceeding temperature limits of the device.
(Please refer to the product specifications)

Components



Front Camera



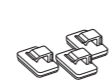
Rear Camera



MicroSD card



Manual



Wire Clip (3EA)



Rear Camera Cable



Power Cable



External GPS Receiver (Sold separately)

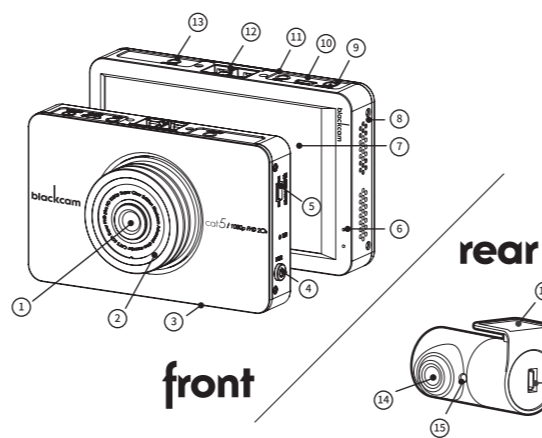


Cradle (Front)

The components may change for different models.
The actual components may be different from the pictures above.

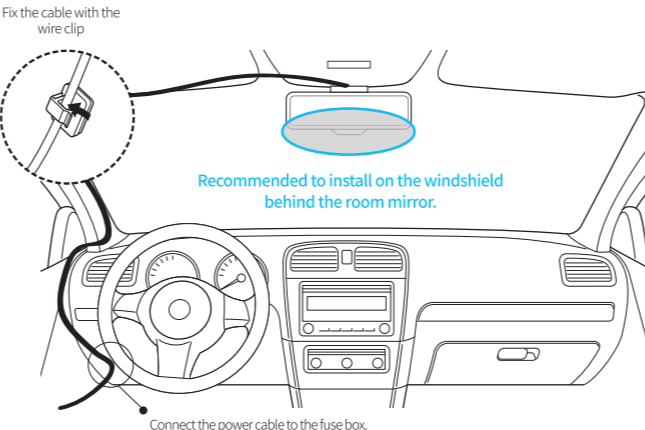
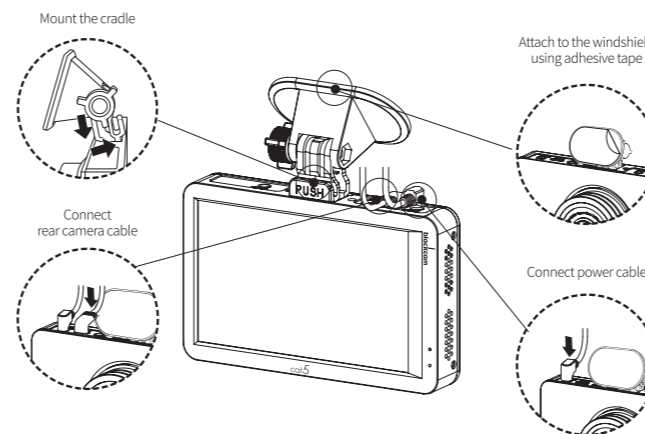
Please use the cables provided by HiD Solution.

Part name



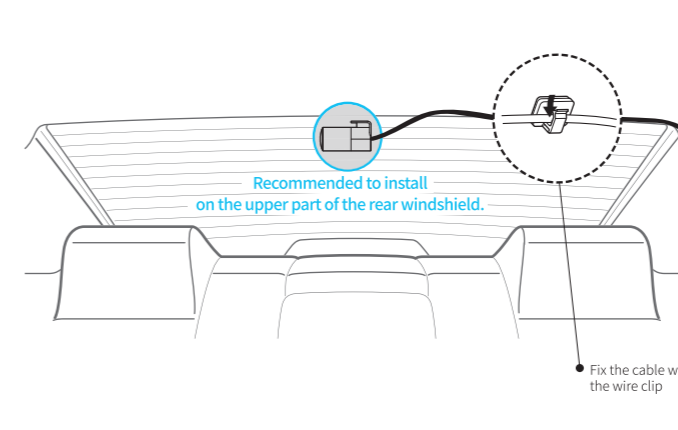
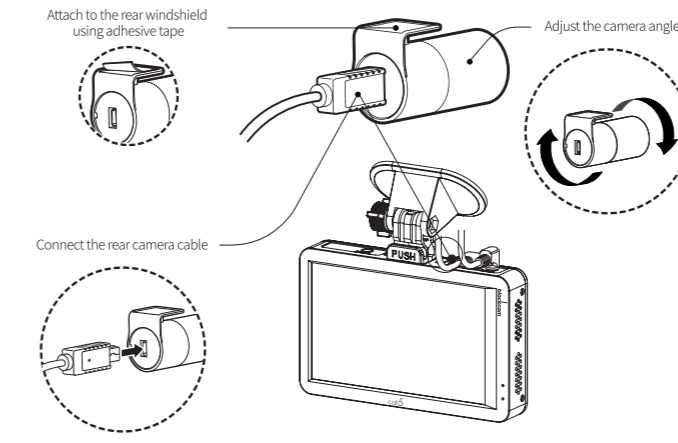
No.	Part name	Function
1	Front camera lens	Recording front image
2	Security LED	Operation signal
3	Vent	Heat release
4	Power button	Turning on/off
5	Memory card slot	Insert MicroSD card
6	Status LED	Top : REC status / Bottom : Power
7	4.0 inch full touch LCD	Display
8	Speaker	Sound
9	Power socket	Connecting power cable
10	Rear camera port	Connecting rear camera
11	GPS port	Connecting GPS
12	Cradle mount	Connecting cradle
13	AV OUT	Connecting AV cable
14	Rear camera lens	Recording rear image
15	Status LED	Status signal
16	Connection port	Connecting rear camera cable
17	Adhesive pad	Attaching rear camera

Set up - Front



Connect the power cable to the fuse box.

Set up - Rear



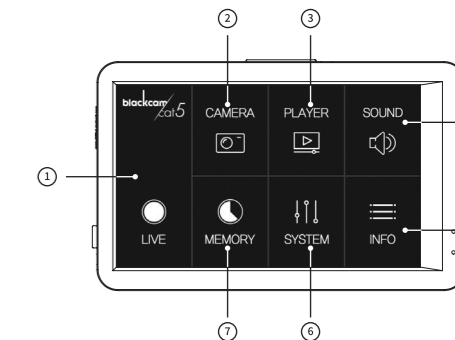
Fix the cable with the wire clip

Specifications

Category	Specs	Note
Size / Weight	Front 105x65x27mm/100g Rear 52x24x24mm/25g	
Display	4.0 inch Full Touch LCD (800x480)	
Storage	micro SDHC (16G/32G/64G/128G/256G)	
Recording type	Driving / Event / Manual / Parking / Time lapse Front FHD 1080p/20fps Rear HD 720p/20fps	
Lens	FHD wide angle lens	4Glass with IR Cut Filter
Image sensor	High Quality CMOS Image Sensor	
Angle	Front Diagonal 140° / Horizontal 110° / Vertical 70° Rear Diagonal 130° / Horizontal 100° / Vertical 60°	
Video	Front FHD 1080p/20fps Rear HD 720p/20fps	
Encoding	Image H.264/MPEG-4 AVC Sound PCM	.avi
Sound	Built-in microphone	
Speaker	Built-in speaker (8 ohm)	
Accelerometer	3-axis accelerometer (2g/4g/8g/16g)	
Power input	DC 12V / 24V	
Battery	Super Capacitor	
Power consumption	Average 3.5W / Maximum 4.5W	
Operation / Storage Temp	Operation -20°C ~ 70°C Storage -30°C ~ 80°C	
Interface	Power, Rear Camera, External GPS, AV out	
Other	Security LED, Power ON/OFF, LDWS, Format free, Night Vision, Time Lapse, WDR	

Main menu

Home | Main menu |
Touch the home button on the Live screen to open the Menu screen.



No.	Category	Function
1	Live	Return to recording mode, check live screen.
2	Camera	Set up FPS and resolution of front and rear cameras.
3	Player	Play recorded files.
4	Sound	Set up speaker volume, voice recording, event alarm, etc.
5	Information	Check current firmware version and settings or reset.
6	System	Set up display, parking mode, sensitivity, and LDWS.
7	Memory	Set up memory allocation or format memory card.

Live view

Home > Live

Live screen information

GPS Connection
GPS indicator when it is connected.
*It may take longer time to connect when GPS signal is weak or after long period of parking.

Touch correction menu
Touch the screen for longer than 5 seconds to enter touch correction menu. System reboots automatically when correction is complete.

Recording status
Normal recording | Blinking green Event/Manual recording | Blinking red

Power status
Shows car voltage

Parking mode
Turn parking mode ON/OFF.
*The device turns off along with the engine when the Parking Mode is OFF. It will turn on when the engine starts.

Manual recording
Start recording in case of emergency.
*It records for 35 seconds when you press the button once.

Speed indicator

Voice recording ON | OFF
Turn voice recording ON | OFF

HOME | Main menu |
Open main menu for settings.

Front screen



Rear Screen



PIP



Watch screen



- Touch the empty space in the live screen to change the screen to front>rear>PIP>watch.
- Driving mode screen can be set to turn off after 1 minute, turn off after 3 minutes, watch screen after 1 minute, and always on.
- It is a pressure sensitive LCD not a capacitive touch screen. Touch firmly to operate the device.

NOTICE

- Save** Saves the changes in the setting and returns to the previous screen.
- Exit** Does not save the changes and returns to the previous screen.

*Factory default setting / memory card format / memory allocation setting automatically reboots the device for stable operation.

Camera

Home > Camera

Camera settings

Front camera frame rate
Change frame rate of the front camera.

Front camera resolution
Change resolution of the front camera.

Rear camera frame rate
Change frame rate of the rear camera.

Rear camera resolution
Change resolution of the rear camera.

Home > Camera > Front camera resolution

Front camera resolution setting.

Contrast adjustment
Change contrast of the recording.

Night image brightness
Change brightness of the night image.

Definition
Change definition of the recording.

Night vision
Turn night vision ON/OFF.

System

Home > System

Display, parking mode, sensitivity, LDWS settings

Parking mode
Change settings for Rear side recording, Cut off voltage, Recording time, Advanced time lapse

Display
Change settings for LCD, Front LED, Touch correction, Time

Sensitivity
Change settings for Sensitivity Setting, LDWS

LDWS
Change settings for LDWS ON/OFF, LDWS speed, LDWS basic setting, Detailed setting

System > Display

LCD
LCD turn off time setting

Menu button
Live screen menu button setting

Front LED
Event, motion, recording indicator LED
*quick blink / blink / OFF

Touch correction
Correct the touch function. You can also access this by touching empty space on the live screen for more than 5 seconds.
*Please use a pointy object like a pencil when you perform the touch

Time
Date and time setting

System > Parking mode

Parking mode rear camera
Turn rear camera parking mode ON/OFF

Parking cut off voltage
Cut off voltage setting

Parking recording time
Recording time setting

Advanced time lapse
Turn time lapse ON/OFF

System > Sensitivity

Parking event sensitivity
Parking event detection sensitivity

Driving event sensitivity
Driving event detection sensitivity

Parking motion sensitivity
Motion detection sensitivity
* More files will be recorded if the sensitivity is high.

System > LDWS

LDWS
Turn LDWS ON/OFF

LDWS speed
Change LDWS speed
* Lane departure warning time setting

LDWS basic setting
Automatic LDWS setting

LDWS detailed setting
Manual LDWS setting

LDWS

System > LDWS

LDWS basic and detailed settings

LDWS
Turn LDWS ON/OFF

LDWS speed
Set LDWS speed to 60/70/80km

LDWS basic setting
Automatic LDWS setting

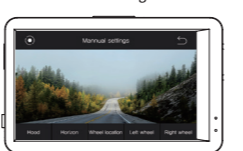
LDWS detailed setting
Manual LDWS setting

LDWS basic setting



- Please do the hood setting first.
- Wheel setting automatically starts after the hood setting.
- Automatic setting may take some time.

LDWS detailed setting



Hood / Horizon setting
Set the hood and horizon line position.

Wheel location / Left, Right wheel setting
Set wheel location and sensitivity.

NOTICE

- △ LDWS automatic setting is recommended. If you want detailed setting, change the wheel location.
- △ Perform LDWS setting at a place with good visibility of traffic lines.
- △ LDWS becomes more sensitive as the wheel location is set closer to the traffic line.
- △ Please be aware of the system errors that can occur due to weather and environment.
 - Park your car before changing the settings for your own safety.
 - Find a location with clear visibility on the traffic lines in order to optimize the setting.

Player

Home > Player

Play and save recorded files

All
All recorded files *ascending order

Driving
Driving files

Parking
Parking files All/Parking motion /Time lapse

Event
Event files All/Driving event/ Parking event

Camcorder
Manual recording files

KEEP
KEEP folder files

Playlist
Each page shows 4 files Select a file to play it

Skip previous |<|
Skip 3 pages previous

Previous |<|
Move to previous page

|>| Skip next
Skip 3 pages next

|>| Next
Move to next page

Player > Playlist



KEEP folder
Save current file in KEEP folder

Change image
Switch between front and rear recording

Playlist
Show playlist

Previous file
Play previous file

Pause / Play
Either pause or play

Next file
Play next file

Memory

Home > Memory

Change memory allocation or format memory card. Choose the allocation size of driving, motion, time lapse, and event memory spaces.

Memory allocation
Choose among 5 different allocation settings.

Memory formatting
Format current memory card.

01. Drive 20 Motion 40 Time Lapse 10 Event 30	Camcorder 1GB
02. Drive 30 Motion 20 Time Lapse 20 Event 30	
03. Drive 40 Motion 20 Time Lapse 10 Event 20	
04. Drive 50 Motion 20 Time Lapse 20 Event 10	KEEP folder 1GB
05. Drive 50 Motion 30 Time Lapse 10 Event 10	

* The recordings are saved in different locations as follows.

Mode	Recording time	Save location
Driving	Real time	Total 60 seconds
	Event	previous 5 seconds / Next 30 seconds
Parking	Motion	Total 35 seconds
	Time lapse	1second, 1fps
Manual	Previous 5 seconds / Next 30 seconds	Camcorder
	Total 35 seconds	Keep
KEEP	Save separately	Keep

Sound

Home > Sound

Sound menu

Speaker volume
Change speaker volume

Voice recording
Turn voice recording ON/OFF

Event notification
Turn event notification ON/OFF.
Event recordings are saved even if the event notification is OFF.
Event recording is triggered by shock detection.
*Event notification plays short repeating melody.

Information

Home > Information

Check current settings or change settings to default.

Setting information
Current device settings

Default settings
Changes all settings to factory setting. Default settings deletes all recorded files and reboots the system.

blackcam

Quick start guide
Safety, Warranty

1080P FHD/HD 2CH

cat5